

# AMEL05 Series



## 5 watt encapsulated ac-dc converter

- SWITCHING POWER MODULES FOR PCB MOUNTING
- LOW STANDBY POWER
- FULLY ENCAPSULATED PLASTIC CASE
- UNIVERSAL INPUT RANGE 90 ... 260VAC , 47 ... 440 HZ
- REGULATED OUTPUT
- LOW RIPPLE & NOISE
- HIGH EFFICIENCY
- CE MARKING

## ELECTRICAL SPECIFICATIONS



All specifications valid at nominal Input voltage, full load and +25°C after warm-up time unless otherwise stated.

Model No. (Single Output)	AMEL05-3.3S	AMEL05-5S	AMEL05-12S	AMEL05-15S	AMEL05-24S	
<b>Max output wattage (W)</b>	4W	5W	5W	5W	5.5W	
Input	Voltage 90 ... 260 VAC or 120 ... 370 VDC					
	Frequency (Hz) 47 ... 440 Hz					
	Current (Full Load) 110mA max. (115 VAC) / 70mA max. (230 VAC)					
	Inrush Current (<2ms) 10 A max. (115 VAC) / 20 A max. (230VAC)					
	Leakage Current 0.75mA max.					
	External Fuse (recommended) 1.5 A slow blow type					
Output	Voltage (VDC)	3.3V	5V	12V	15V	24V
	Voltage Accuracy	±2%				
	Current (mA) max.	1250	1000	420	333	230
	Line Regulation	±0.3% max.				
	Load Regulation (5%-100%)	±0.5% max.				
	Minimum Load	0%				
	Maximum Capacitive Load	470-23,000m F depending on model				
	Ripple & Noise	<0.5% Vout +50mV max (Vp-p)				
	Efficiency	65%	73%	75%	77%	78%
	Hold-up Time	15 ms min.				
	Switching Frequency	125 kHz				
Protection	Over Current Protection	Hiccup technique, auto-recovery				
	Over Voltage Protection	Zener diode clamp				
	Short Circuit Protection	Hiccup mode, indefinite (automatic recovery)				
Isolation	Input-Output (VAC)	3000V				
Environment	Operating Temperature	-25°C ... +71°C				
	Storage Temperature	-40°C ... +85°C				
	Temperature Coefficient	0.02% / °C				
	Humidity	95% RH				
	MTBF	>340,000 h @ 25°C (MIL-HDBK-217F)				
Physical	Dimension (L x W x H)	2.0 x 1.0 x 0.597 inches (50.8 x 25.4 x 15.16 mm)				
	Case Material	Plastic resin + Fiberglass (flammability to UL 94V-0)				
	Weight	30g				
	Cooling Method	Free air convection				
Safety	Agency Approvals	CE				
EMC	EMI (Conducted & Radiated Emission)	EN 55022				
	EMS (Noise Immunity)	EN 55022				

Specifications are subject to change without notification

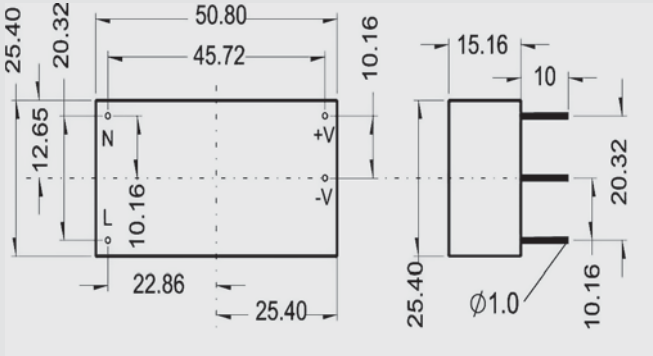
Continued on next page

VISIT US AT [WWW.AIMTEC.CA](http://WWW.AIMTEC.CA)

# AMEL05 Series

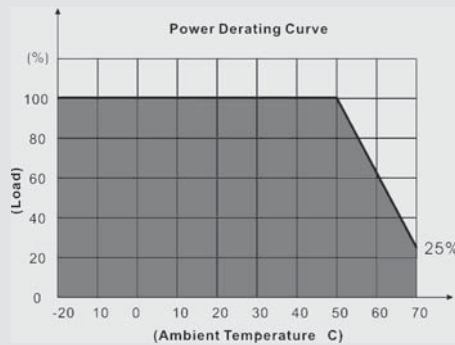
## OUTLINE DIMENSIONS & PIN CONNECTIONS

### MECHANICAL DIMENSION (Top View)



Pin	Single
N	AC Input
L	AC Input
+V	+DC Output
-V	-DC Output

### DERATING



### BLOCK DIAGRAM

#### Single Output

